

TDR

**HIGH PERFORMANCE
TECHNOLOGY**

FLOATING DISC ROTOR

FOR PCX 160

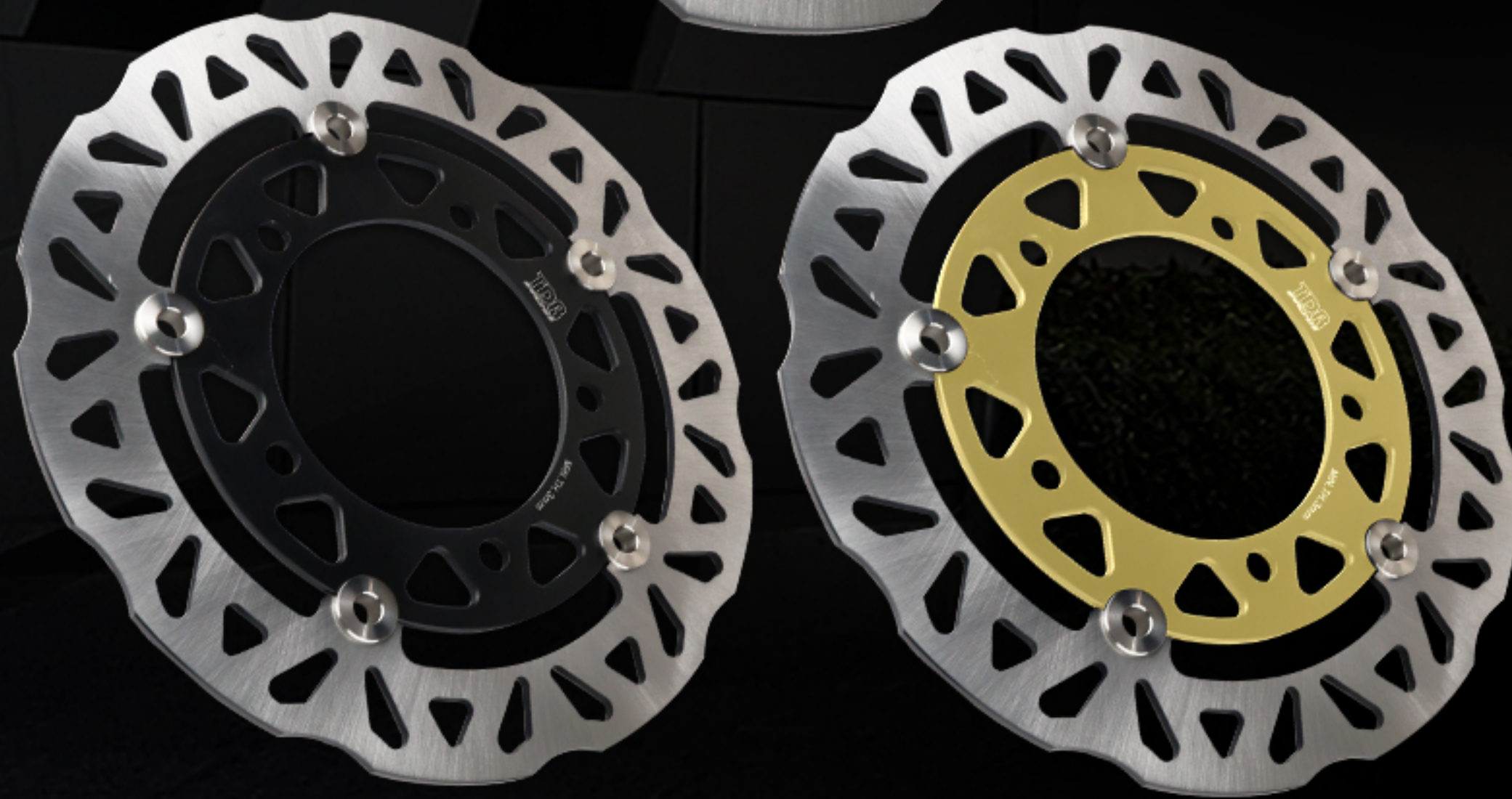
ADVANTAGES :

- Developed with floating technology for perfect braking and improve handling
- Designed with aluminium alloy to reduce weight for racing purposes
- Made of high quality stainless steel material. Not easy corroded and easy to release heat

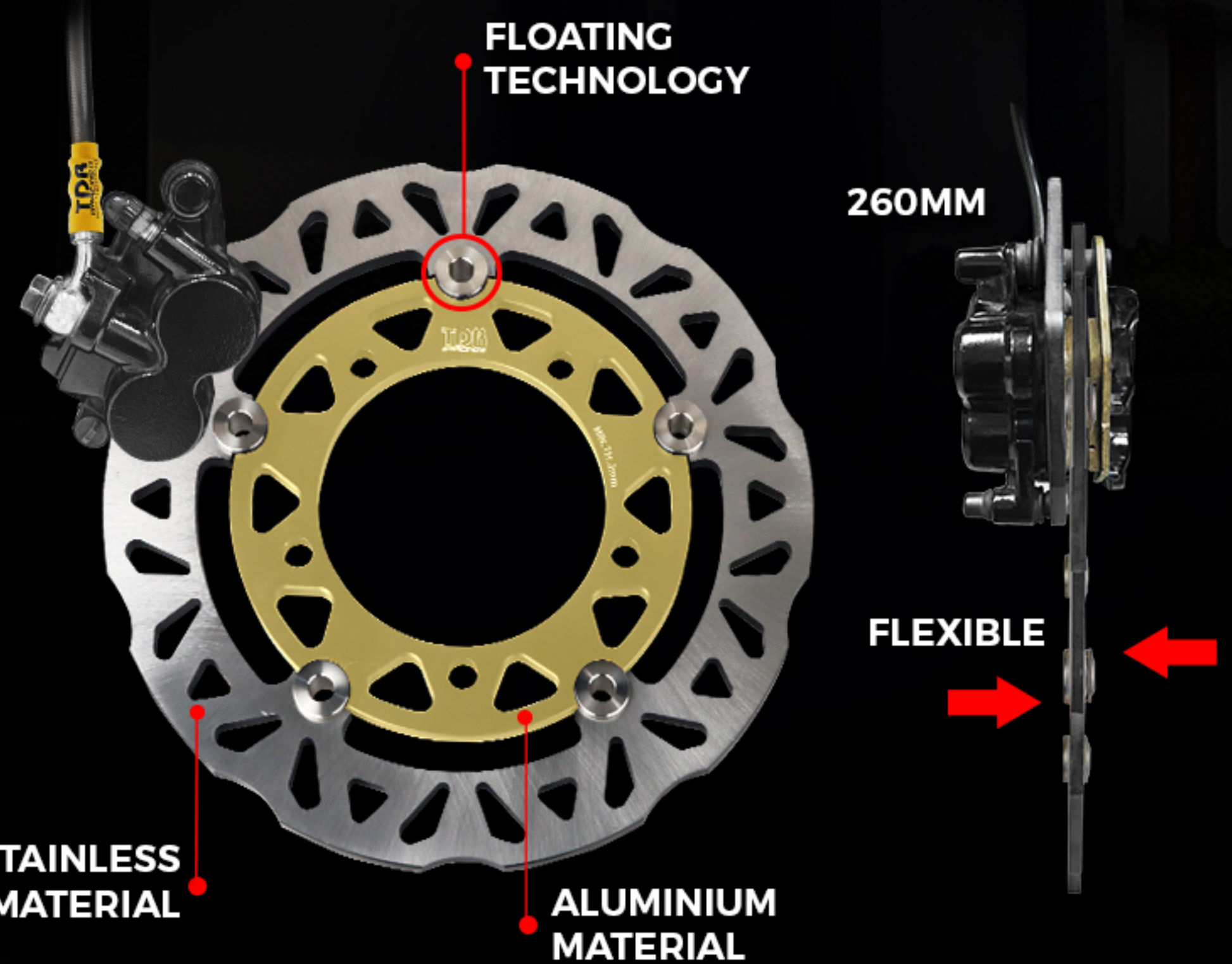
AVAILABLE COLOR :

- Black • Red • Gold

260MM



HET : Rp. 1.800.000



AVAILABLE BRACKET :



* HET : HARGA ECERAN TERTINGGI
PER 1 FEBRUARI 2023

Official Online Store : WWW.ONETEAMSTORE.COM

